

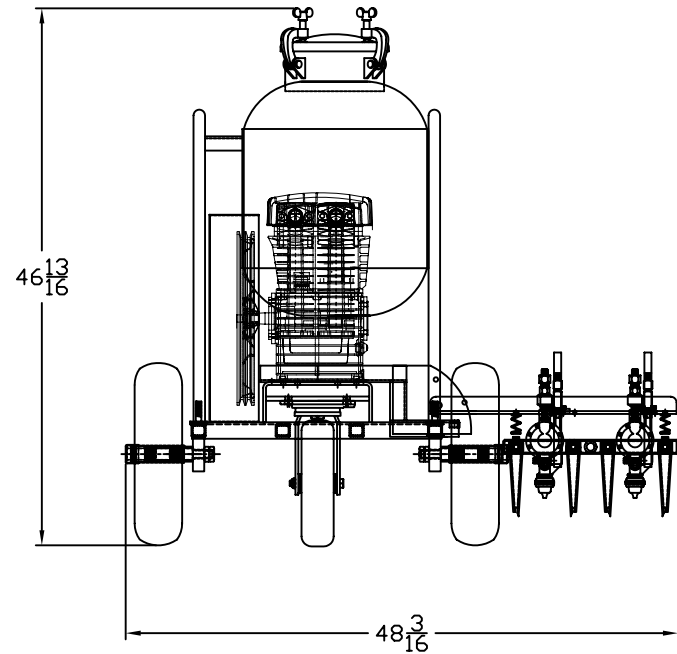
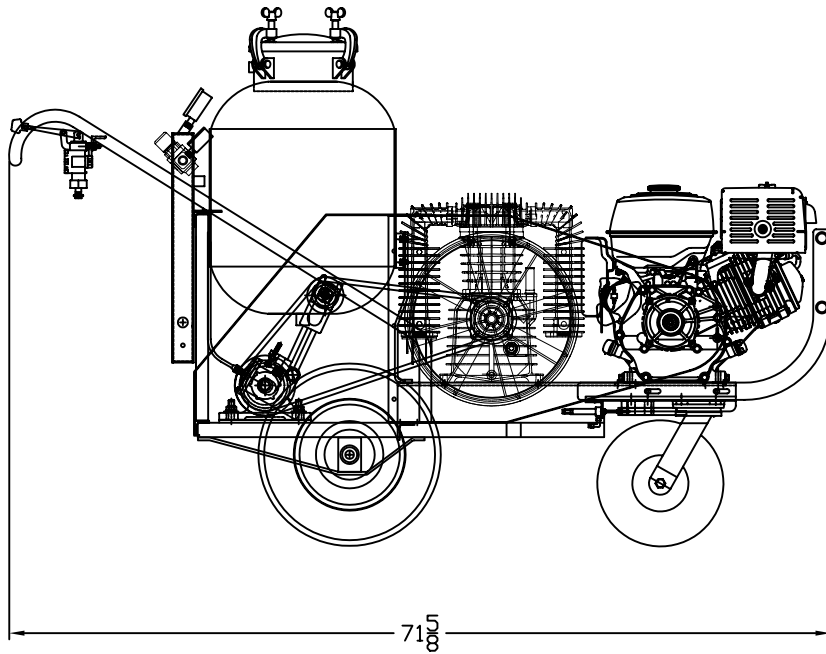
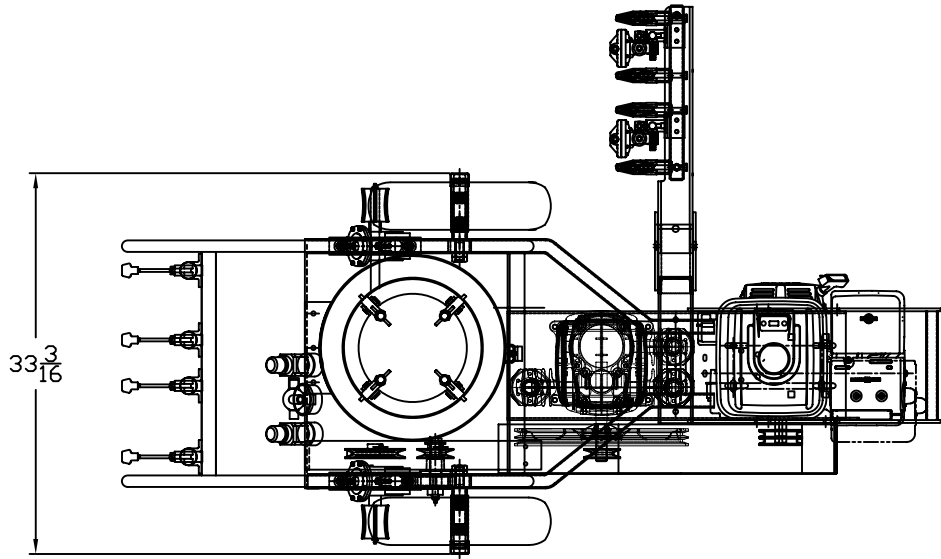
TOLERANCES UNLESS OTHERWISE SPECIFIED:
 Angular $\pm 2^\circ$
 Fractional $\pm 1/16'$
 .X = ± 1
 .XX = ± 0.1
 .XXX = ± 0.005
 .XXXX = ± 0.0015

CONFIDENTIAL
 THIS DOCUMENT, INCLUDING ALL INFORMATION HEREIN, IS THE EXCLUSIVE AND CONFIDENTIAL PROPERTY OF ERNEST INDUSTRIES. THEREFORE THIS DOCUMENT IS NOT TO BE COPIED, REPRODUCED, OR DELIVERED TO OTHERS WITHOUT THE EXPRESS WRITTEN PERMISSION OF ERNEST INDUSTRIES.

Kelly-Creswell
 1221 Groop Rd.
 Springfield, OH 45504
 937-325-3978
KC Since 1937

DRAWN BY: TLB
 APPROVED BY: [Signature]
 DATE: 11/11/10
 DATE APPROVED: [Signature]

TITLE: DOUBLE GUN TRACTION FRAME			
DESCRIPTION: GENERAL DETAILS			
DWG NO./PART NO. HDCT-2			
SCALE: NA	SIZE: A	PAGE #: 1-3	REV: C



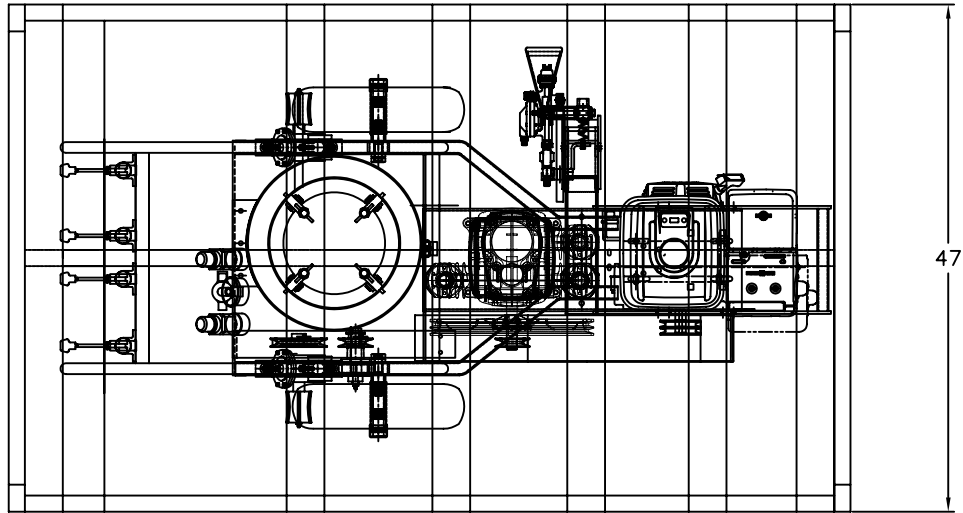
TOLERANCES UNLESS OTHERWISE SPECIFIED:
 Angular $\pm 2^\circ$
 Fractional $\pm 1/16"$
 .X = ± 1
 .XX = ± 0.1
 .XXX = ± 0.005
 .XXXX = ± 0.0015

CONFIDENTIAL
 THIS DOCUMENT, INCLUDING ALL INFORMATION HEREIN, IS THE EXCLUSIVE AND CONFIDENTIAL PROPERTY OF ERNEST INDUSTRIES. THEREFORE THIS DOCUMENT IS NOT TO BE COPIED, REPRODUCED, OR DELIVERED TO OTHERS WITHOUT THE EXPRESS WRITTEN PERMISSION OF ERNEST INDUSTRIES.

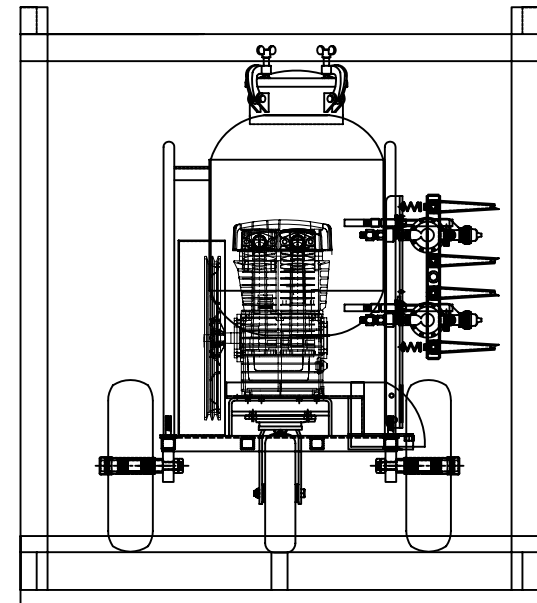
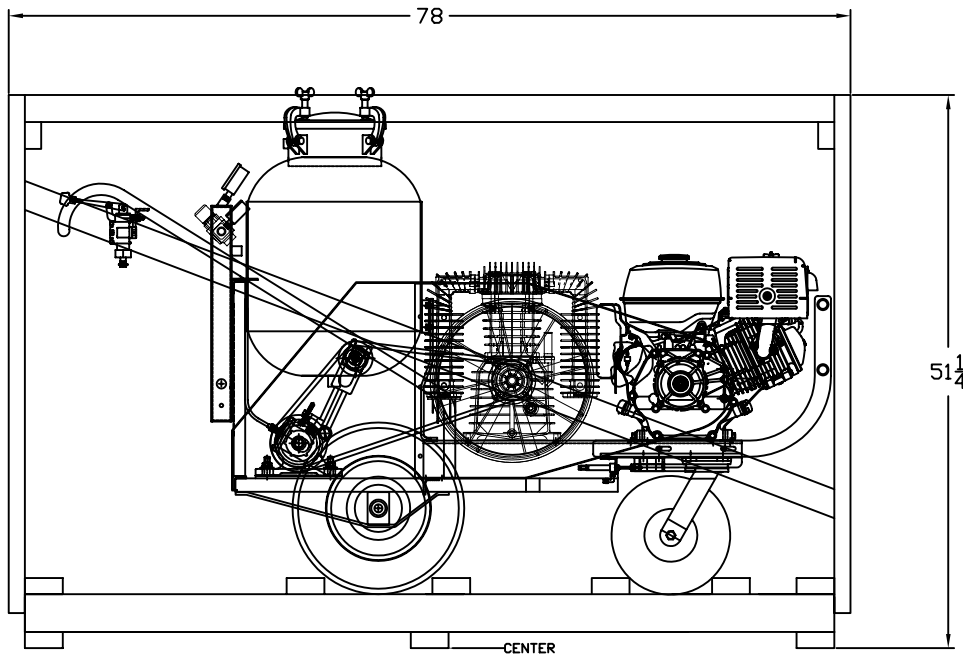
Kelly-Creswell
 1221 Groop Rd.
 Springfield, OH 45504
 937-325-3978
KC Since 1937

DRAWN BY	DATE
TLB	11/11/10
APPROVED BY	DATE APPROVED

TITLE: DOUBLE GUN TRACTION FRAME			
DESCRIPTION: GENERAL DIMENSIONS			
DWG NO./PART NO. HDCT-2			
SCALE: NA	SIZE: A	PAGE #: 2-3	REV: C



LENGTH (INCHES)	78"
WIDTH (INCHES)	47"
HEIGHT (INCHES)	51.25"
EST. SHIPPING WEIGHT	400 LBS
APPROX. CUBIC FEET	105'



TOLERANCES UNLESS OTHERWISE SPECIFIED:
 Angular $\pm 2^\circ$
 Fractional $\pm 1/16"$
 .X = ± 1
 .XX = ± 0.1
 .XXX = ± 0.005
 .XXXX = ± 0.0015

CONFIDENTIAL
 THIS DOCUMENT, INCLUDING ALL INFORMATION HEREIN, IS THE EXCLUSIVE AND CONFIDENTIAL PROPERTY OF ERNEST INDUSTRIES. THEREFORE THIS DOCUMENT IS NOT TO BE COPIED, REPRODUCED, OR DELIVERED TO OTHERS WITHOUT THE EXPRESS WRITTEN PERMISSION OF ERNEST INDUSTRIES.

Kelly-Creswell
 1221 Groop Rd.
 Springfield, OH 45504
 937-325-3978



DRAWN BY	DATE
TLB	11/11/10
APPROVED BY	DATE APPROVED

TITLE:
DOUBLE GUN TRACTION FRAME

DESCRIPTION:
SHIPPING DIMENSIONS

DWG NO./PART NO.	PAGE #:	REV:
HDCT-2	3-3	C
SCALE:	SIZE:	
NA	A	